



Keenly priced LED digital clocks

## ECO-DC series

The ECO-DC series are digital clocks in 7 segment LED technique at economical price, designed in elegant and slim case, for time or date or alternating time/date display. The ECO-DC is available in the following variants:

- Autonomous operation with internal quartz powered from mains
- NTP multicast or unicast synchronization powered over PoE (compatible IEEE 802.3af) or mains powered
- Slave clock operation controlled by self-setting *MOBALine* code or by IRIG-B, mains powered
- LED display in red or green
- Single- or double-sided clock
- Plastic case in black colour
- Ceiling suspension or wall bracket mounting for single- or double-sided clocks
- Intended to be used indoors

## ECO-DC series - variants



### Display Features

- Time display in four digits (HH:MM) either 12 or 24 hours format
- Date display in four digits (DD.MM.)
- 7 segment LED displays with 57 mm digit height for a viewing distance up to 25 m
- Alternating display of time and date
- Display available in red or green
- Sensor controlled automatic or manual adjustment of the display brightness

### Mechanic

- Anti-reflection front cover made of plexiglass including a filter layer for best readability over a wide viewing angle
- Elegant and slim clock frame, made of ABS plastic in black colour (RAL 9005)
- Single- or double-sided version for wall mounting, ceiling suspension or wall bracket mounting

- Single- and double-sided clocks available
- Easy installation and time-saving maintenance, hanging holes for wall mounting
- Supporting element for distance from wall (can be removed to tilt the clock down)
- Connectors and state LEDs are accessible on the back side in the recess
- Push-buttons placed on the top side of the frame
- Protection degree IP 30 (IP40 on request)
- Equipment protection class II (no PE connection, plastic case)
- Working temperature -5 to +55°C

### Synchronization

- Autonomous operation with internal quartz time base with programmable automatic seasonal time change
- NTP multicast or unicast synchronization powered over PoE or mains powered
- Slave clock operation with synchronization by self-setting MOBALine code or by IRIG-B, mains powered
- Precision 0.1 s/day at constant temperature – software trimming

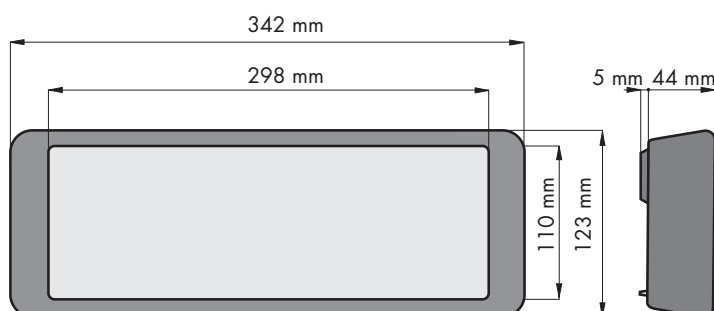
### Configuration

- Setting of the clock parameters and time, date setting by means of push buttons

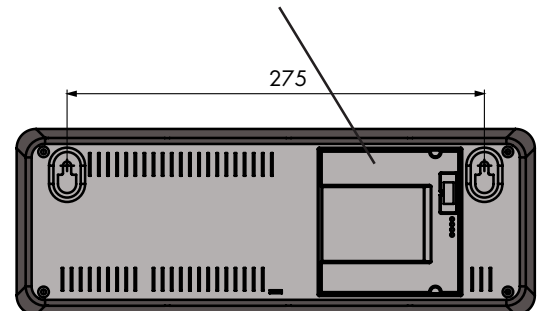
### For PoE and NTP version only:

- DHCP / manual configuration of the clock parameters or setting over the telnet
- Private options of DHCP to automatic configuration of all clock parameters when connected to LAN
- Firmware update remotely through the LAN using the TFTP protocol
- Configuration and supervision via NDM (Net Device Manager) software
- IPv6 ready

Single-sided clock dimension

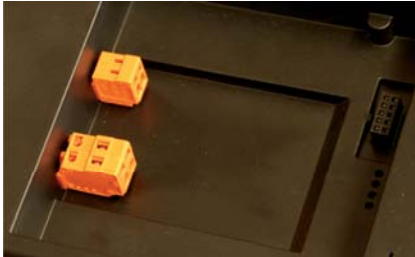


back side's recess

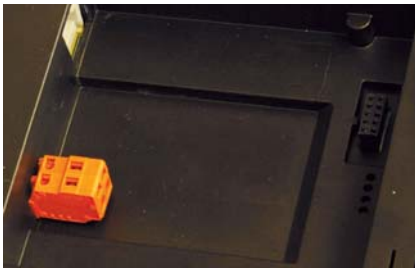


## ECO-DC series - easy to ordering ...

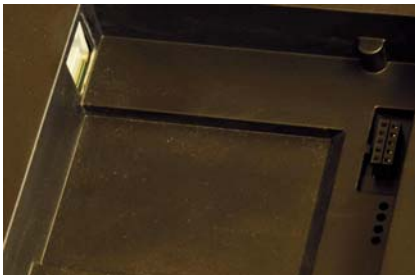
### Connections



Version MOBALine or IRIG-B synchronized, mains powered.



Version NTP synchronized, mains powered.



Version NTP, PoE (Power over Ethernet) powered.

Example of ordering  
**ECO-DC.57.4.R.N.N.MBL**

Digital clock 7-segment display 57 mm height, 4 digits showing hour and minute (HH:MM) respectively day and month (DD.MM.), red colour, single-sided, wall surface mounting, synchronization by MOBALine, mains powered

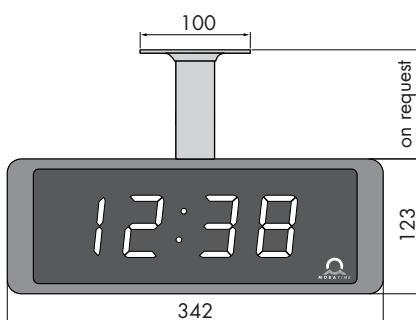
Order reference **ECO-DC** • **1** • **2** • **3** • **4** • **5** • **6**

<b>Digit height</b>	1
57 mm	57
<b>Number of digits</b>	2
4 digits (HH:MM)	4
<b>Display colour</b>	3
red	R
green	G
<b>Version</b>	4
single sided	N
double sided	D
<b>Mounting</b>	5
Wall	N
Ceiling suspension	S
Wall bracket	B
<b>Synchronization</b>	6
MOBALine, mains powered	MBL
IRIG-B, mains powered	IRIG
NTP protocol, mains powered	NTP
NTP protocol, PoE powered	PoE

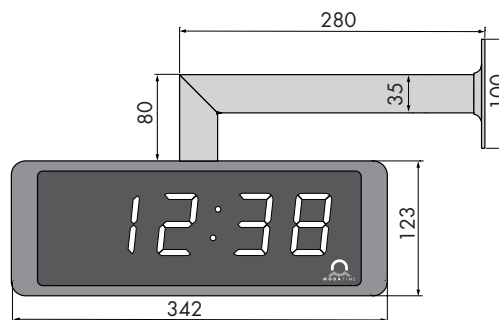
### Double-sided clock dimension and mounting

Note: specify suspension rod length 5, 10, 30, 50 cm or custom length on request in order

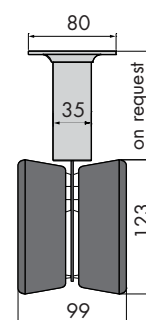
ceiling suspension mounting



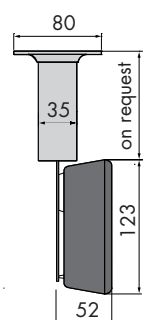
wall bracket mounting



double-sided



single-sided



all dimensions are in mm

## Keenly priced LED digital Clock **ECO-DC** series

Technical Data		ECO-DC
Display	Digit height	57mm
	Numbers of digit	4
Time display	HH:MM	✓
Date display	DD.MM.	✓
Automatic or manual display brightness		✓
Viewing distance		25 m
Autonomous operation		Internal quartz base
Synchronization		MOBALine time code, mains powered
		IRIG-B, mains powered
		NTP protocol, mains powered
		NTP protocol, PoE powered (compatible IEEE 802.3af)
Power supply		100 - 240 VAC / 50 - 60 Hz
Power consumption	single-sided	7 VA
	double-sided	12 VA
Quartz accuracy at 20°C		± 0.1 seconds / day
Operating temperature		-5 to + 55 °C
Protection degree		IP 30 (IP 40 on request)
Weight	single-sided	0.75 kg
	double-sided	2 kg
Dimension in mm	single-sided	342 x 123 x 44
	double-sided	342 x 123 x 105